



Rim Lock

R5000 Mortise Series

Elegant appearance as mortise lock, installation as easy as rim lock

Remarks for finishes:

SN – Satin nickel

28 – Satin nickel with black powder-coated

All dimensions in mm

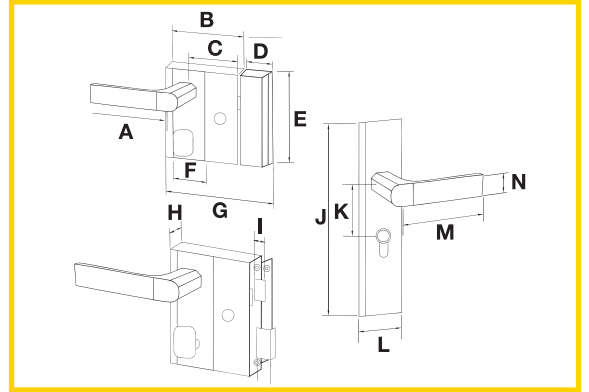


R506R AA SN

Finish :

SN

- A/104 H/20
- B/91 I/12
- C/60 J/220
- D/31 K/55
- E/108 L/50
- F/40 M/104
- G/122 N/22

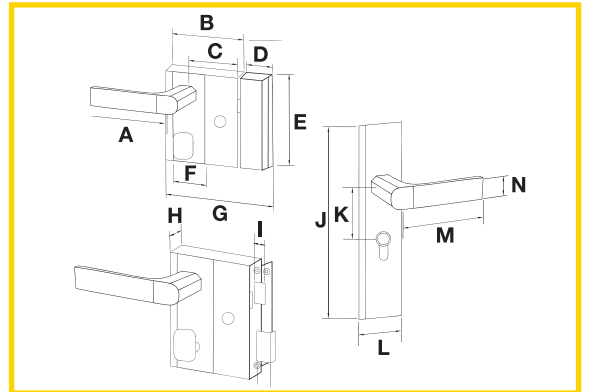


R506R AA 28

Finish :

28

- A/104 H/20
- B/91 I/12
- C/60 J/220
- D/31 K/55
- E/108 L/50
- F/40 M/104
- G/122 N/22

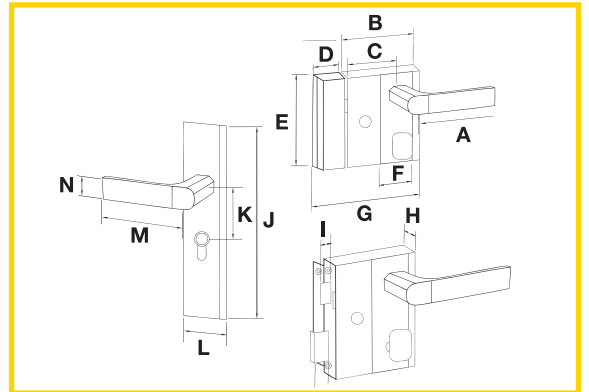


R506L AA SN

Finish :

SN

- A/104 H/20
- B/91 I/12
- C/60 J/220
- D/31 K/55
- E/108 L/50
- F/40 M/104
- G/122 N/22

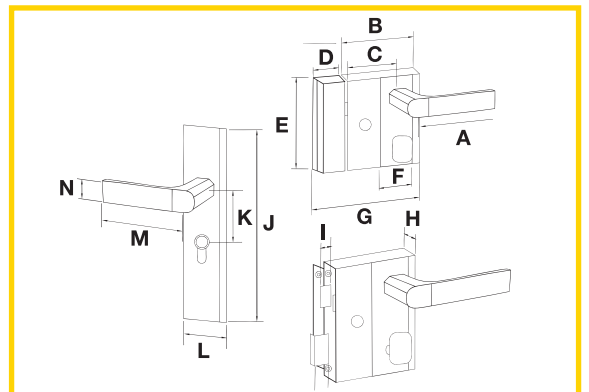


R506L AA 28

Finish :

28

- A/104 H/20
- B/91 I/12
- C/60 J/220
- D/31 K/55
- E/108 L/50
- F/40 M/104
- G/122 N/22





R5000 Montage Series

Product Specification

- **Standard** : EN12209: 2003
- **Testing Cycles** : 100,000 cycles
- **Materials** : Zinc Diecast
- **Backset** : 60mm
- **Door Thickness** : 35 ~ 55mm
- **Function** : Entrance
- **Cylinder** : Dimple key cylinder or traditional cut key cylinder
- **No. of Keys** : 5 pieces of nickel silver brass keys
- **Anti-Panic Function**

Series Name	Backset	Handing	Style of Interior Lock Case	Style of Exterior Lock Case	Finish Code
R50	6 = 60mm	R = Right	A	A	SN = Satin nickel
		L = Left			28 = Satin nickel with black powder-coated