



# Euro-profile Thumbturn Cylinder

## 213 series

**Remarks:****Cylinder Length**

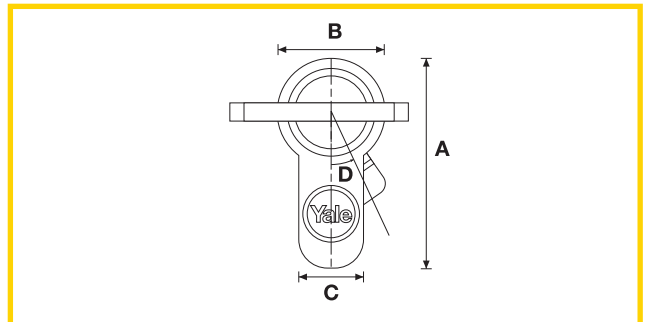
- 30 + 30 = 60mm total
- 35 + 35 = 70mm total
- 38 + 38 = 76mm total
- 40 + 40 = 80mm total
- 45 + 45 = 90mm total

**Remarks for finish**

- US15 : Satin Nickel
- US26 : Polished Chrome
- US3 : Polished Brass



- A** / 33
- B** / 17
- C** / 10
- D** / 25



**213.60**  
Single cylinder design with thumb turn

Packing : x1

Finishes :

## Product Matrix

Model Number	Key Type	Length mm	Finish
213.60	Normal Key	30 + 30	US15 / US26 / US3
213.70	Normal Key	35 + 35	US15 / US26 / US3
213.80	Normal Key	40 +40	US15 / US26 / US3
213D.60	Dimple Key	30 + 30	US15 / US26 / US3
213D.70	Dimple Key	35 + 35	US15 / US26 / US3
213D.76	Dimple Key	38 + 38	US15 / US26 / US3
213D.80	Dimple Key	40 + 40	US15 / US26 / US3
213D.90	Dimple Key	45 + 45	US15 / US26 / US3

## Product Specification

- **Standard :** EN1303-2005
- **Application :** Suitable for Euro-profile mortise lock case
- **Materials :** Brass
- **Keys :** 5 pcs nickel silver dimple keys. (Optional 5 pcs nickel plated dimple keys or 3 pcs brass nickel plated Yale normal keys)
- **Construction key system and master key system are available for Yale normal keys**