

# Stainless Steel Lever Furniture

## 1000 Series

## 1002RRS01

**Application:**

- For wooden doors between 32 and 50mm thick
- 22mm diameter handle
- Sprung
- Supplied with bolt-through fixings
- Concealed fixings
- Non-handed

**Operation:**

- Lever handle

**Specification:**

Reference	1002RRS01
Handle Length	140mm
Handle Projection	55mm
Handle Diameter	22mm
Rose Diameter	54mm
Rose Projection	10mm - sprung

**Accessories:**

- 1000-OE - Oval-profile escutcheon
- 1000-EE - Euro-profile escutcheon
- 1000-ER - Emergency release
- 1000-T - Standard Thumbturn
- 1000-LT - Large turn bar
- 1000-ST - Small thumbturn
- 1000-BR - Blind rose
- 1000-LK - Lever key escutcheon
- 1000-CPE - Euro rim cylinder pull
- 1000-RP - Circular flush pull

For accessories please refer to section 5D



**Features:**

- Manufactured from Grade 316 steel

**Finishes:**

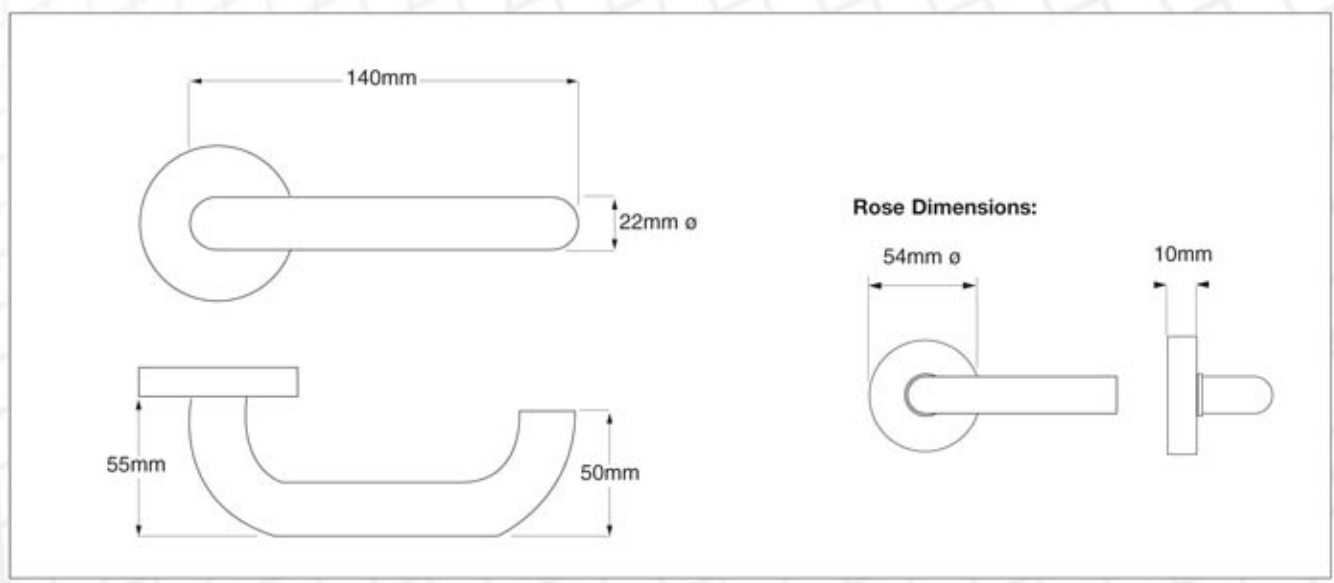
- PS - Polished Stainless Steel
- SS - Satin Stainless Steel

**Standards:**



**Ordering Code Example:**

J - 1002RR S 01 PS  
(Boxed - Product Code - Springing - Style - Finish)



## 1000 Series - Oval-profile Escutcheon

# 1000OE

### Application:

- Oval-profile escutcheon
- Suitable for use with oval-profile locks
- Concealed fixings

### Specification:

Reference	1000OE
Diameter	54mm
Projection	10mm

### Features:

- Manufactured from Grade 316 steel

### Finishes:

- PS - Polished Stainless Steel
- SS - Satin Stainless Steel



### Ordering Code Example:

J - 1000 OE PS

(Boxed - Product Code - Style - Finish)