

Stainless Steel Lever Furniture

1000 Series

1002RRS01

Application:

- For wooden doors between 32 and 50mm thick
- 22mm diameter handle
- Sprung
- Supplied with bolt-through fixings
- Concealed fixings
- Non-handed

Operation:

- Lever handle

Specification:

Reference	1002RRS01
Handle Length	140mm
Handle Projection	55mm
Handle Diameter	22mm
Rose Diameter	54mm
Rose Projection	10mm - sprung

Accessories:

- 1000-OE - Oval-profile escutcheon
- 1000-EE - Euro-profile escutcheon
- 1000-ER - Emergency release
- 1000-T - Standard Thumbturn
- 1000-LT - Large turn bar
- 1000-ST - Small thumbturn
- 1000-BR - Blind rose
- 1000-LK - Lever key escutcheon
- 1000-CPE - Euro rim cylinder pull
- 1000-RP - Circular flush pull

For accessories please refer to section 5D



Features:

- Manufactured from Grade 316 steel

Finishes:

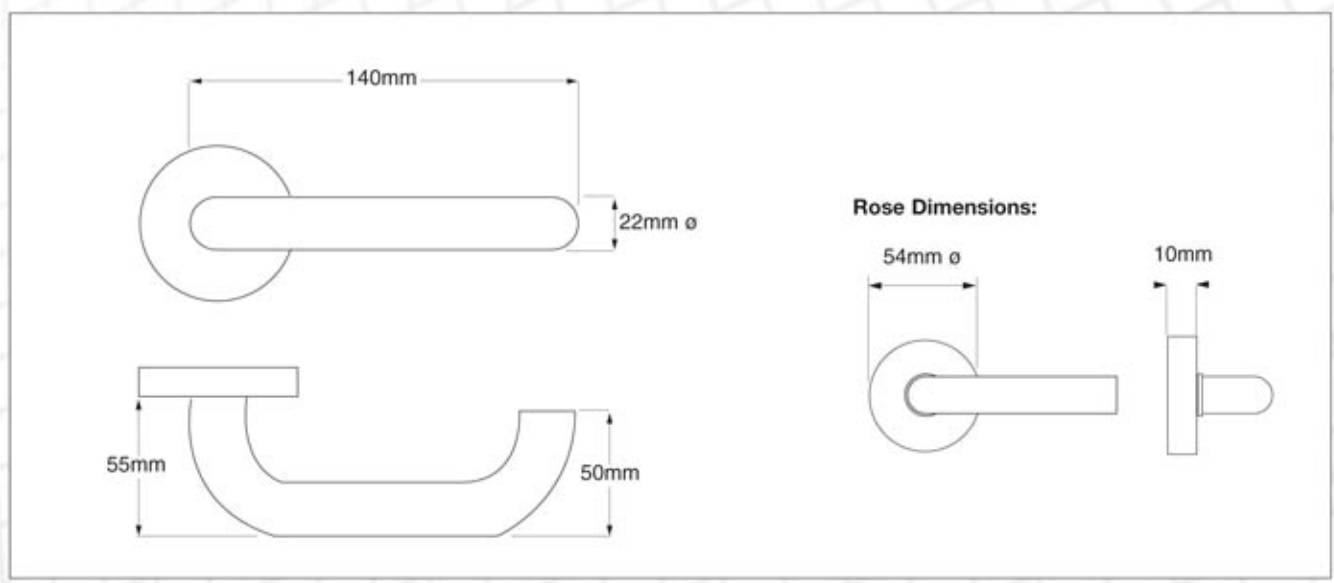
- PS - Polished Stainless Steel
- SS - Satin Stainless Steel

Standards:



Ordering Code Example:

J - 1002RR S 01 PS
(Boxed - Product Code - Springing - Style - Finish)



1000 Series - Emergency Release

1000ER/SRER

Application:

- Emergency release
- Suitable for use where an emergency function is required
- Concealed fixings

Specification:

Reference	1000ER
Diameter	54mm
Projection	1000ER - 10mm 1000SRER - 5mm

Features:

- Manufactured from Grade 316 steel

Finishes:

- PS - Polished Stainless Steel
- SS - Satin Stainless Steel



Ordering Code Example:

J - 1000 ER PS (10mm projection)
 J - 1000 SRER PS (5mm projection)
 (Boxed - Product Code - Style - Finish)

1000 Series - Small Thumbturn

1000ST

Application:

- Small thumbturn
- Suitable for use on bathrooms
- Concealed fixings

Specification:

Reference	1000ST
Diameter	54mm
Projection	10mm

Features:

- Manufactured from Grade 316 steel

Finishes:

- PS - Polished Stainless Steel
- SS - Satin Stainless Steel



Ordering Code Example:

J - 1000 ST PS
 (Boxed - Product Code - Style - Finish)

5D Stainless Steel Accessories