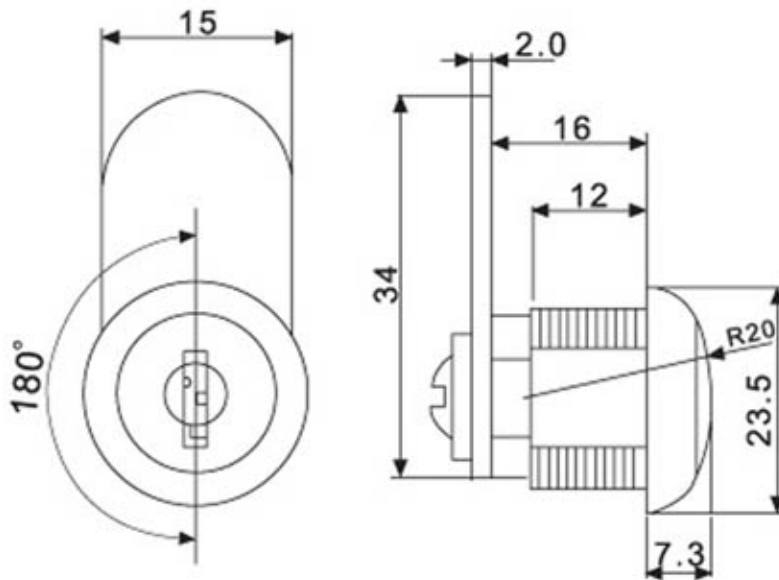




ⓘ Intetrchangeable cylinder

Ⓜ Master key system

## 401 Series Cam Lock - 90 degree turn



**Cylinder & inner core: zinc alloy**

**Cylinder: D19L16mm**

**Finish: Chrome**

**Accessories: 2 keys with plastic cover,  
1 cam plate R0009 for L16mm**

**5 wafers = 165 key changes**

**Key alike can be made on request**