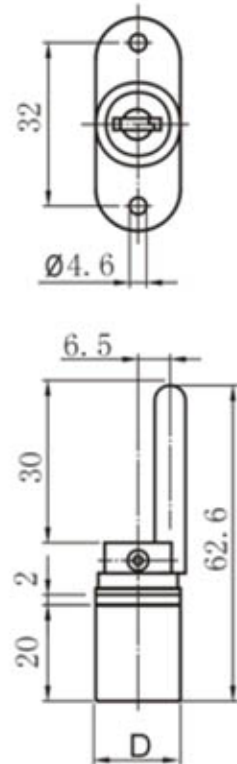
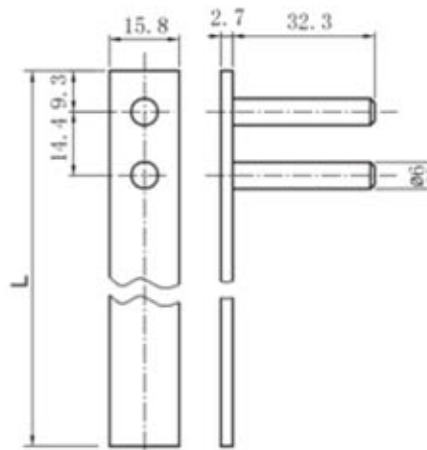




i Interchangeable cylinder

M Master key system

288 Series Central Lock front mounted



Cylinder & inner core: zinc alloy

Cylinder: D16.5 L20mm or D19 L20mm

Finish: Chrome , Black nickel , Brass , Gold plated

**Accessories: 2 keys with plastic cover, 1 alum. bar 500mm,
1 rosette A1057 or A1051, 3 pegs 11mm A1021
2 bar guides A1020**

6 wafers = 400 key changes

Key alike can be made on request

Master key system & inter-changeable cylinder

(cylinder length changes to 23mm) is available on request