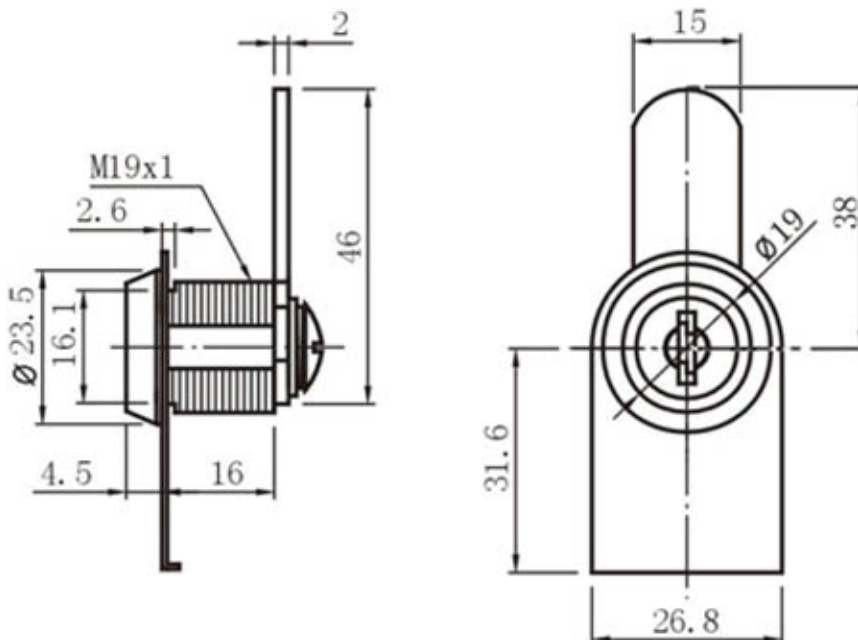




ⓘ Interchangeable cylinder

Ⓜ Master key system

## 218 Series Swinging Glass Door Lock



**Cylinder & inner core: zinc alloy**

**Cylinder: D19 L16mm**

**Finish: Chrome**

**Accessories: 2 keys with plastic cover**

**1 cam plate R0009**

**1 steel front plate A1017**

**6 wafers = 400 key changes**

**Key alike can be made on request**

**Master key system and inter-changeable  
cylinder is available on request**