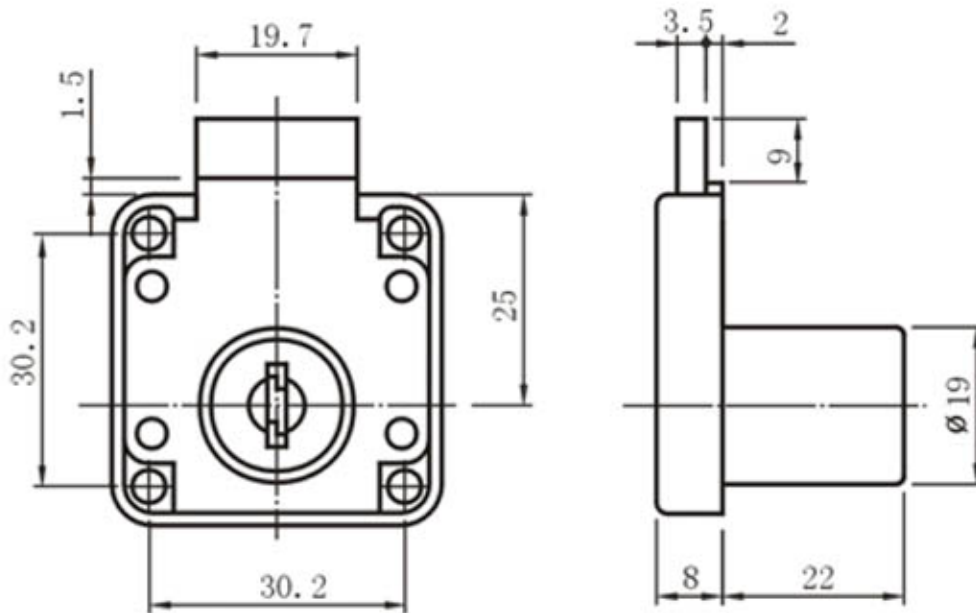




ⓘ Intetrchangeable cylinder

Ⓜ Master key system

## 138 Series Drawer Lock



**Cylinder & inner core: zinc alloy**

**Cylinder: D19 L22mm**

**Finish: Chrome**

**Accessories: 2 keys with plastic cover**

**6 wafers = 400 key changes**

**Key alike can be made on request**

**Master key system and inter-changeable cylinder is available on request**