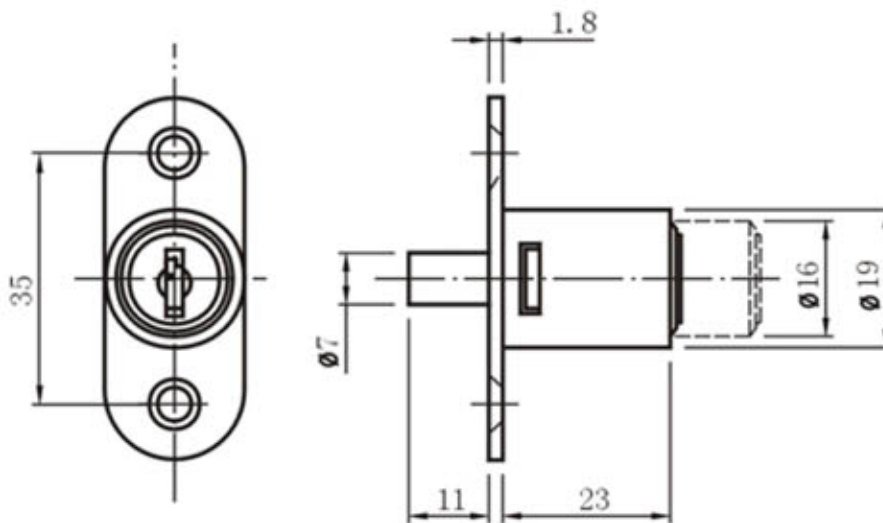




ⓘ Interchangeable cylinder

Ⓜ Master key system

105 Series Push Lock



Cylinder & inner core: zinc alloy

Cylinder: D19 L23mm

Finish: Chrome

Accessories: 2 keys with plastic cover

6 wafers = 400 key changes

Key alike can be made on request

Master key system and inter-changeable cylinder is available on request