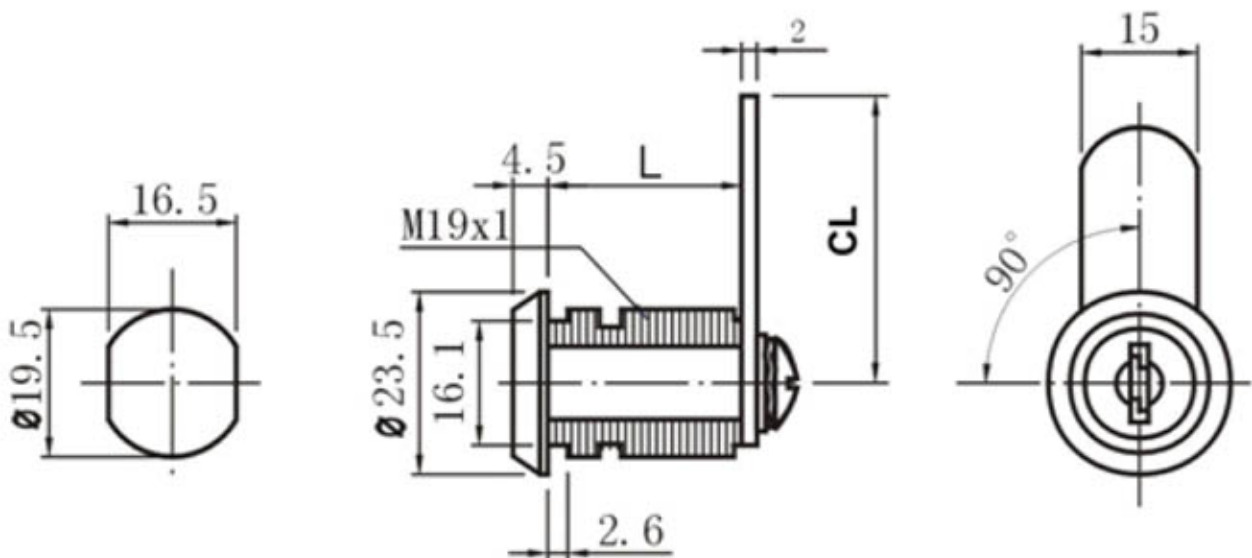




ⓘ Interchangeable cylinder

Ⓜ Master key system

103 Series Cam Lock - 90 degree turn



Cylinder & inner core: zinc alloy

Cylinder: D19L16mm, D19L20mm, D19L25mm or D19L30mm

Finish: Chrome

Accessories: 2 keys with plastic cover,

1 cam plate R0009 for L16mm or

1 cam plate R0007 for L20-30mm

6 wafers = 400 key changes

Key alike can be made on request

Master key system and inter-changeable cylinder is available on request