

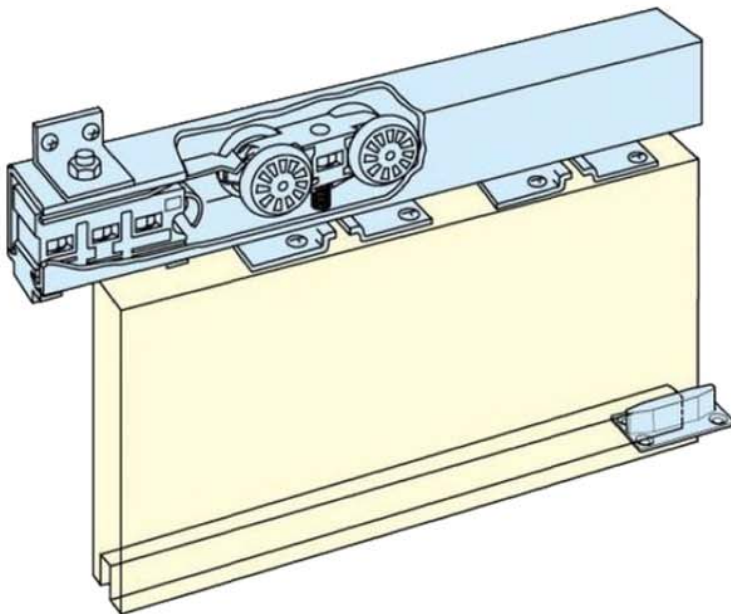
OXFORD 100

The world's favorite lock

Yale®

For sliding wood and metal doors up to 100KG

- For heavy weight room dividers
- For timber, timber framed, composite or metal doors
- ▶ Easily adjustable door height
- ▶ End clip stop to hold door in open position
- ▶ Floor component - guide with channel as non-standard
- ▶ Available with steel track or aluminium track



Specification

Max door weight 100KG

Max door width 1050mm

Door thickness 20-50mm

Kit opening width no. doors

YH100/1.5 max 800mm — —

YH100/2.0 max 1050mm — —

YH100/2.5 max 1250mm — —