

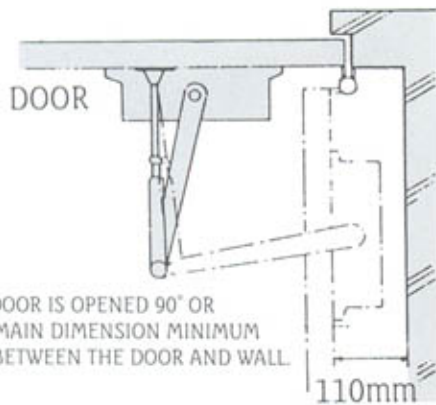


60 SERIES



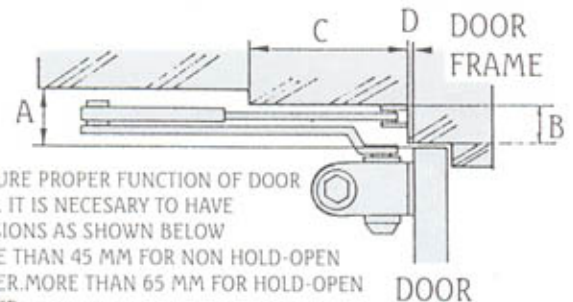
70 SERIES

● **INSTALLATION OF STANDARD ARM (VERTICAL ARM) DOOR CLOSER**



WHEN THE DOOR IS OPENED 90° OR 180° THE REMAIN DIMENSION MINIMUM OF 110 MM BETWEEN THE DOOR AND WALL.

STANDARD ARM (VERTICAL ARM) INSTALLATION  
CEILING AND TOP DOOR FRAME



TO ENSURE PROPER FUNCTION OF DOOR CLOSER, IT IS NECESSARY TO HAVE DIMENSIONS AS SHOWN BELOW

A) MORE THAN 45 MM FOR NON HOLD-OPEN CLOSER, MORE THAN 65 MM FOR HOLD-OPEN CLOSER.

B) MORE THAN 25 MM

C) MORE THAN 80 MM

D) LESS THAN 10 MM

● **CLOSERS SELECTION CHART :**

MODEL		MAXIMUM DOOR SIZE WIDTH x HEIGHT(m/m)	DOOR WEIGHT ( KGS )
NON-STOP	HOLD OPEN		
061 / 071	161 / 171	800 x 1800	15 ~ 30
062 / 072	162 / 172	900 x 2100	25 ~ 45
063 / 073	163 / 173	950 x 2100	40 ~ 65
064 / 074	164 / 174	1050 x 2400	60 ~ 85
065 / 075	165 / 175	1200 x 2700	80 ~ 120