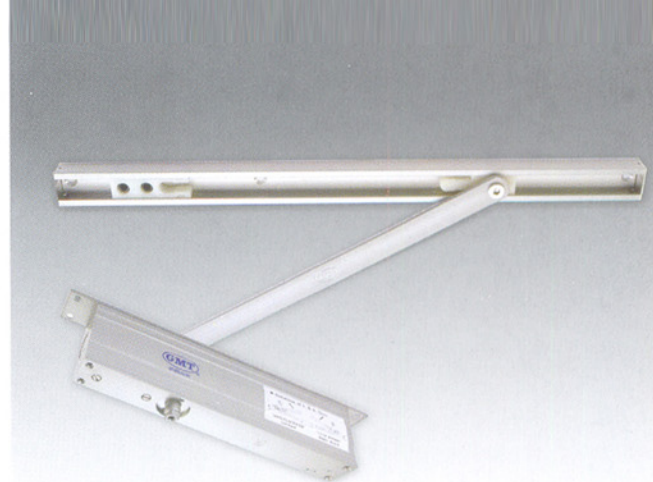




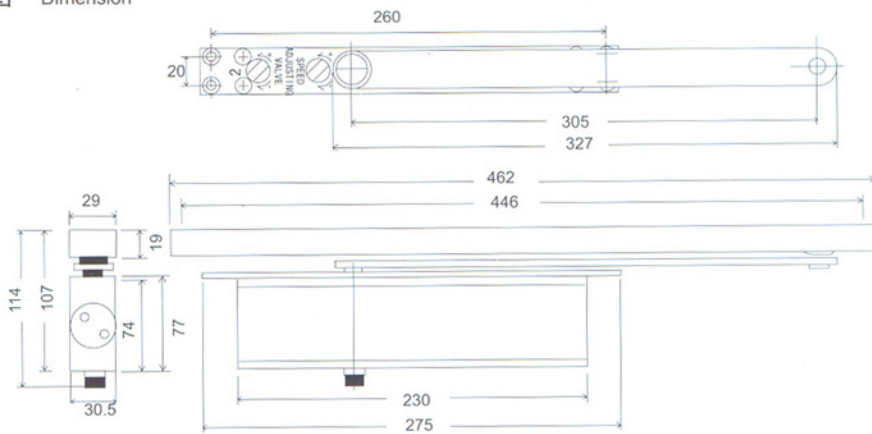
隐藏式 1500 系列

CONCEALED TYPE 1500 SERIES



型号 Item No.	门扇最大尺寸 Max. Door Size wxh(mm)	最大承重 Max. Door Weight (kg)
1502	950×2100	50
1503	1050×2100	70
1504	1100×2100	85
1505	1400×2400	110

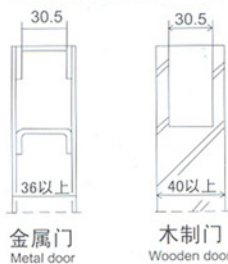
1502, 1503尺寸图 Dimension



1502, 1503 标准安装

- ▲金属门厚度至少36mm
- ▲木制门厚度至少40mm

1502, 1503 Installation
Thickness of metal door at least 36mm
Thickness of wooden door at least 40mm



1504, 1505 标准安装

金属门, 木制门厚度至少45mm

1504, 1505 Installation
Thickness of metal door and wooden door at least 45mm



简易且正确的速度调整

- ▲第一段关闭速度调整螺丝, 范围约140° ~ 15°
- ▲第二段关闭速度调整螺丝, 范围约15° ~ 0°

Speed adjustment
Closing speed adjustment valve 140° ~ 15°
Latching speed adjustment valve 15° ~ 0°

